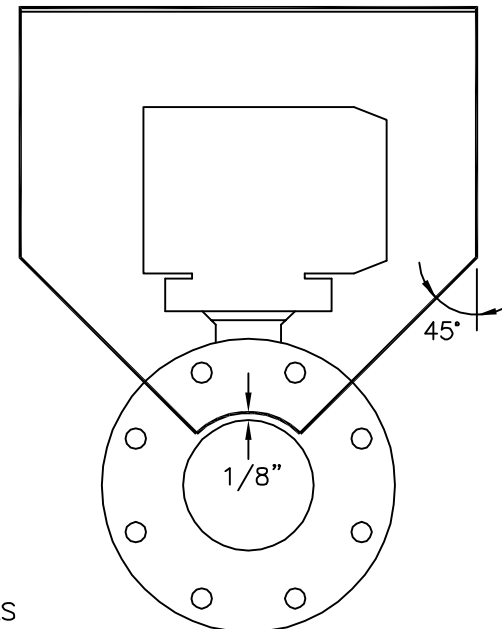



NOTE:  
SET TRANSMITTER TO READ FROM SIDE TOWARD  
CONTROL CABINET



FABRICATED TO FIT AWWA STANDARD  
CLASS 53 DIP FLANGE FOR APPLICABLE DIA.  
PIPE AND BOLT PATTERN

**MOUNT PLEASANT WATERWORKS**  
FLOW TUBE AND TRANSMITTER SHIELD DETAIL

APPROVED BY: MPW		DATE: OCT 2013	DRAWING NO. WW-23
SCALE: NTS		REVISED: OCT 2013	